

F

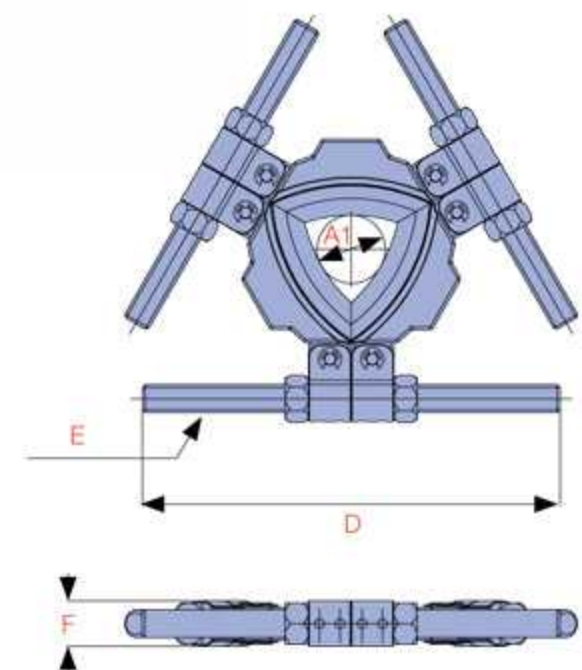
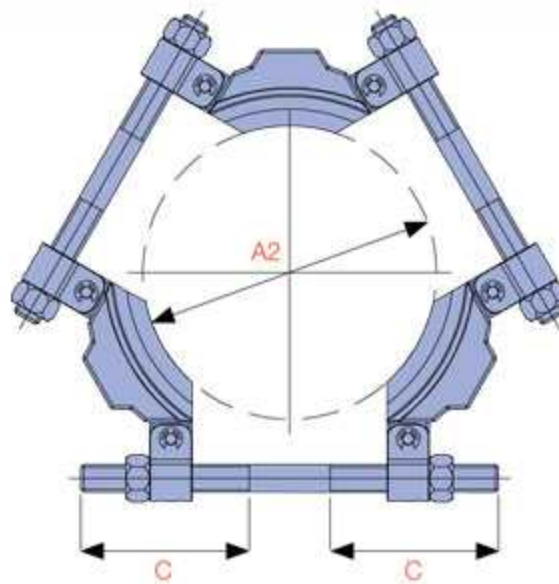
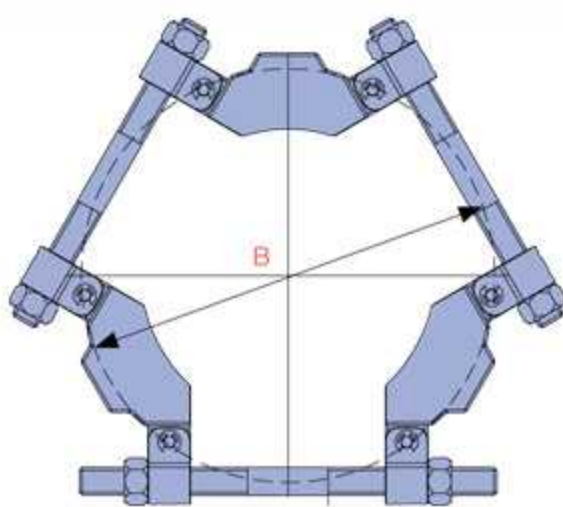
HYDRAULIC TOOLS

THE **ET-SERIES** TRI-SECTIONAL PLATES ARE SPECIALLY DESIGNED FOR USE WITH THE PR & PS-SERIES PULLERS.

The unique and patented swing design creates the maximum spread and provides the most even force. The plates grip behind the inner and outer rings of the bearing together which prevents the pulling force from being transmitted through the rolling parts, minimising the risk of bearing damage.



Swivel point allows wide spread



Model No.	Rated Capacity (ton)	Shaft Diameter		B Max. Spread (mm)	C (mm)	D (mm)	E	F (mm)	Weight (kg)
		A1 (Min.)	A2 (Max.)						
ET3-210	8	50	210	280	117	285	7/8"-14UNF	31	5.5
ET3-340	20	90	340	460	175	460	1 1/4"-12UNF	47	18
ET3-495	30	140	495	660	235	660	1 3/4"-12UNF	63	45